

TECHNICAL REPORT

IEC TR 62014-3

First edition
2002-12

Electronic design automation libraries – Part 3: Models of integrated circuits for EMI behavioural simulation

© IEC 2002 — Copyright - all rights reserved

No part of this publication may be reproduced or utilized in any form or by any means, electronic or mechanical, including photocopying and microfilm, without permission in writing from the publisher.

International Electrotechnical Commission, 3, rue de Varembe, PO Box 131, CH-1211 Geneva 20, Switzerland
Telephone: +41 22 919 02 11 Telefax: +41 22 919 03 00 E-mail: inmail@iec.ch Web: www.iec.ch



Commission Electrotechnique Internationale
International Electrotechnical Commission
Международная Электротехническая Комиссия

PRICE CODE

N

For price, see current catalogue

CONTENTS

FOREWORD	3
1 Scope	5
1.1 General	5
1.2 Philosophy	6
2 Normative references.....	7
3 Definitions	7
4 ICEM models description	8
4.1 ICEM power-supply line model.....	8
4.2 ICEM Input/output.....	9
4.3 ICEM direct radiation	10
5 ICEM models parts details	11
5.1 Passive parts parameters	11
5.2 The current sources I_b and $I_{i/o}$	12
 Annex A Simulation tools implementation	 14
 Figure 1 – Mechanisms for parasitic emission covered by ICEM.....	 5
Figure 2 – The basic mechanism for parasitic emission is due to the current driving by all the gates.....	6
Figure 3 – Number of switching gates versus time.....	6
Figure 4 – Model of the IC supply lines	8
Figure 5 – Origin of primary and secondary resonance in the IC model	9
Figure 6 – Comparison between simulation and measurements (IEC 61967-4, 1 Ω method) ...	9
Figure 7 – Coupling between core and I/Os.....	10
Figure 8 – Coupling between core and I/Os in the case of separate supplies.....	10
Figure 9 – IC direct emissions measured in TEM cell	11
Figure 10 – Current source definition as a PWL description versus time.....	13
 Table 1 – Value range of the model parameters	 12

INTERNATIONAL ELECTROTECHNICAL COMMISSION

ELECTRONIC DESIGN AUTOMATION LIBRARIES –**Part 3: Models of integrated circuits
for EMI behavioural simulation**

FOREWORD

- 1) The IEC (International Electrotechnical Commission) is a worldwide organization for standardization comprising all national electrotechnical committees (IEC National Committees). The object of the IEC is to promote international co-operation on all questions concerning standardization in the electrical and electronic fields. To this end and in addition to other activities, the IEC publishes International Standards. Their preparation is entrusted to technical committees; any IEC National Committee interested in the subject dealt with may participate in this preparatory work. International, governmental and non-governmental organizations liaising with the IEC also participate in this preparation. The IEC collaborates closely with the International Organization for Standardization (ISO) in accordance with conditions determined by agreement between the two organizations.
- 2) The formal decisions or agreements of the IEC on technical matters express, as nearly as possible, an international consensus of opinion on the relevant subjects since each technical committee has representation from all interested National Committees.
- 3) The documents produced have the form of recommendations for international use and are published in the form of standards, technical specifications, technical reports or guides and they are accepted by the National Committees in that sense.
- 4) In order to promote international unification, IEC National Committees undertake to apply IEC International Standards transparently to the maximum extent possible in their national and regional standards. Any divergence between the IEC Standard and the corresponding national or regional standard shall be clearly indicated in the latter.
- 5) The IEC provides no marking procedure to indicate its approval and cannot be rendered responsible for any equipment declared to be in conformity with one of its standards.
- 6) Attention is drawn to the possibility that some of the elements of this technical report may be the subject of patent rights. The IEC shall not be held responsible for identifying any or all such patent rights.

The main task of IEC technical committees is to prepare International Standards. However, a technical committee may propose the publication of a technical report when it has collected data of a different kind from that which is normally published as an International Standard, for example “state of the art”.

IEC 62014-3, which is a technical report, has been prepared by IEC technical committee 93: Design automation.

The text of this technical report is based on the following documents:

Enquiry draft	Report on voting
93/146/DTR	93/157/RVC

Full information on the voting for the approval of this technical report can be found in the report on voting indicated in the above table.

This publication has been drafted in accordance with the ISO/IEC Directives, Part 2.

The committee has decided that the contents of this publication will remain unchanged until 2005. At this date, the publication will be

- reconfirmed;
- withdrawn;
- replaced by a revised edition, or
- amended.

ELECTRONIC DESIGN AUTOMATION LIBRARIES –

Part 3: Models of integrated circuits for EMI behavioural simulation

1 Scope

The objective of this Technical Report (TR) ICEM (Integrated Circuit Electrical Model) for Components is to propose electrical modelling for integrated circuit internal activities. This model will be used to evaluate electromagnetic behaviour and performances of electronic equipment.

1.1 General

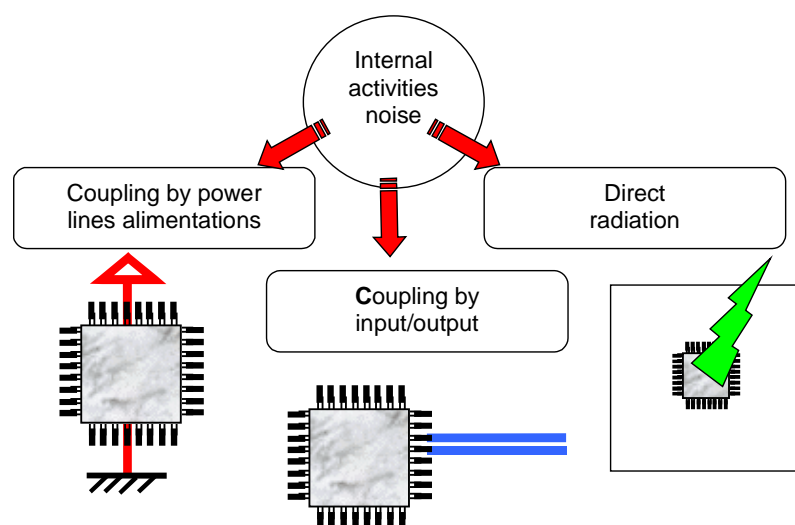
Integrated circuits integrate more and more gates on silicon and the technologies are faster and faster. To predict the electromagnetic behaviour of equipment, it is required to model IC interface switching and their internal activities as well. Indeed IBIS and IMIC models are focused mainly on interface activity predictions (cross-talk, overshoot, etc.). See IEC 62014-1.

This report describes a model for EMI simulation due to IC internal activities. This model gives more accurately the electromagnetic emissions of electronic equipment by taking into account the influence of internal activities. This model gives general data which could be implemented in different format such as IBIS, IMIC, SPICE, etc.

During the design stage of the application that will exploit the IC, it becomes useful to predict and to prevent electromagnetic risks with the CAD tool. Accurate IC modelling is necessary to run on these simulation tools.

Three coupling mechanisms of the internal activities for emission (Figure 1) are proposed in the ICEM model:

- conducted emissions through supply lines;
- conducted emissions through input/output lines;
- direct radiated emissions.



IEC 3027/02

Figure 1 – Mechanisms for parasitic emission covered by ICEM

This report proposes a model that addresses those three types of coupling in a single approach. The elements of the model would be kept as simple as possible to ease the identification and simulation process.

1.2 Philosophy

The purpose of this report is to provide data to enable printed-circuit-board level (PCB) electromagnetic tools to compute the electromagnetic fields produced by integrated circuits and their associated PCB. These data can be extracted from measurement methods, as described in IEC 61967, or obtained from IC simulation tools.

1.2.1 Origin of parasitic emission

The origin of parasitic emission in IC is due to the current flowing through all the IC gates (I_v and I_v) during high to low or low to high transitions as shown in Figure 2.

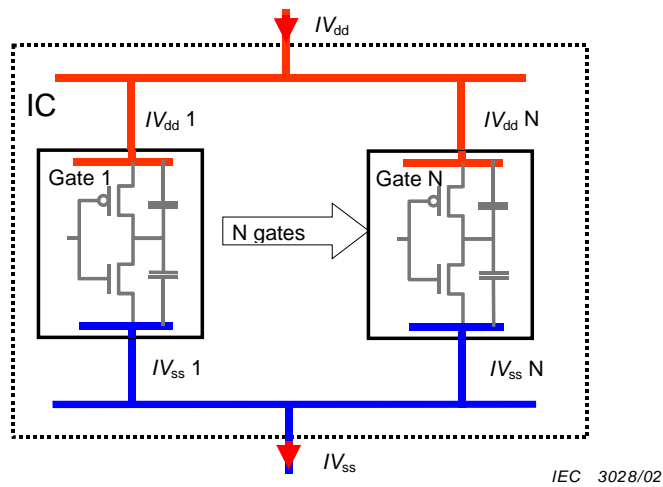


Figure 2 – The basic mechanism for parasitic emission is due to the current driving by all the gates

The combination of several hundred thousands of gates lead to very important peaks of current, mainly at rise and fall edges of the clock circuit. For example Figure 3 plots the number of gates switching versus the time for an IC integrating 1000000 transistors. Consequently, high current spikes are created inside the die and induce voltage drops of the internal voltage references.

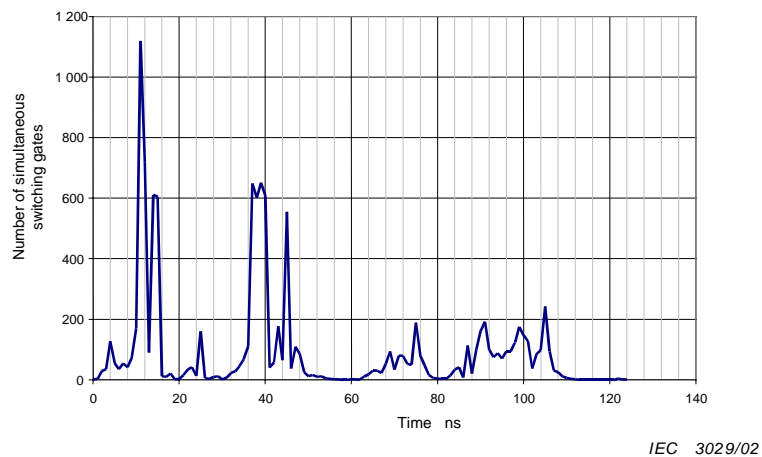


Figure 3 – Number of switching gates versus time

1.2.2 Conducted emission through power-supply lines

The current spikes created inside the die are partially reduced thanks to the on-chip decoupling capacitance. Anyhow, a significant portion of the current spikes is present at the power-supply pins of the chip. This current could be measured according to IEC 61967 or other methods permitting to have the power-supply currents.

1.2.3 Conducted emissions through input/output lines (I/O)

The internal voltage drops generated by the current spikes create noise on the I/Os through direct connection, parasitic capacitive and inductive couplings and/or through common impedance. The PCB wires connected to the I/O can act as antennas and propagate electromagnetic emissions. The measurement set-up is done according to IEC 61967.

1.2.4 Direct radiated emissions

The internal current flowing in low impedance loops generates electromagnetic fields which can be measured in near field according to IEC 61967.

2 Normative references

The following referenced documents are indispensable for the application of this document. For dated references, only the edition cited applies. For undated references, the latest edition of the referenced document (including any amendments) applies.

IEC 61967-1, *Integrated circuits – Measurement of electromagnetic emissions, 150 KHz to 1 GHz – Part 1: General conditions and definitions*

IEC 61967-4, *Integrated circuits – Measurement of electromagnetic emissions, 150 kHz to 1 GHz – Part 4: Measurement of conducted emissions, 1 Ω /150 Ω direct coupling method*

IEC 61967-6, *Integrated circuits – Measurement of electromagnetic emissions, 150 kHz to 1 GHz – Part 6: Measurement of conducted emissions – Magnetic probe method*

IEC 62014-1, *Electronic design automation libraries – Part 1: Input/output buffer information specifications (IBIS version 3.2)*